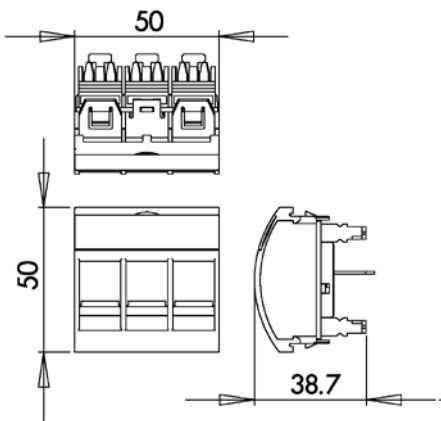




Brand-Rex Copper Connectivity - Cat6Plus Outlets
 Category 6 Triple Shuttered Outlet



PRODUCT DESCRIPTION:

The Brand-Rex Cat6Plus Unshielded Triple Outlet offers a high density outlet solution with true Category 6 component performance. The outlet is backward compatible with our UK and continental UNI style faceplates providing a 3 or 6 RJ-45 solution for high density outlet installations.

Each outlet is fitted with a removable label protector with individual rear cable anchors and colour wiring detail. Every outlet is supplied in an easy tear pack with a shortform installation instruction, paper label and cable ties.

PRODUCT CHARACTERISTICS:

- Outlet Style: Unkeyed RJ-45
- Faceplate Style: UK / Continental UNI style compatible
- Backbox: Minimum 32mm depth
- Colour: RAL 9010 White
- Weight: 46g
- Body Material: ABS
- Jack Contacts: Phosphor Bronze
- Plating: 50µm gold over
100µm nickel
- Punch Down Blocks: 110 Style IDC
- Wiring Standard: EIA/TIA 568A/B
- Conformance: Category 6
ANSI/EIA/TIA 568C
ISO/IEC 11801:2002 & amm1
EN50173-1:2007
- Approval: (3P) Independent
3rd Party Certification

Product Part Numbering

	Unshielded
Triple Outlet - White	C6CTWOU013