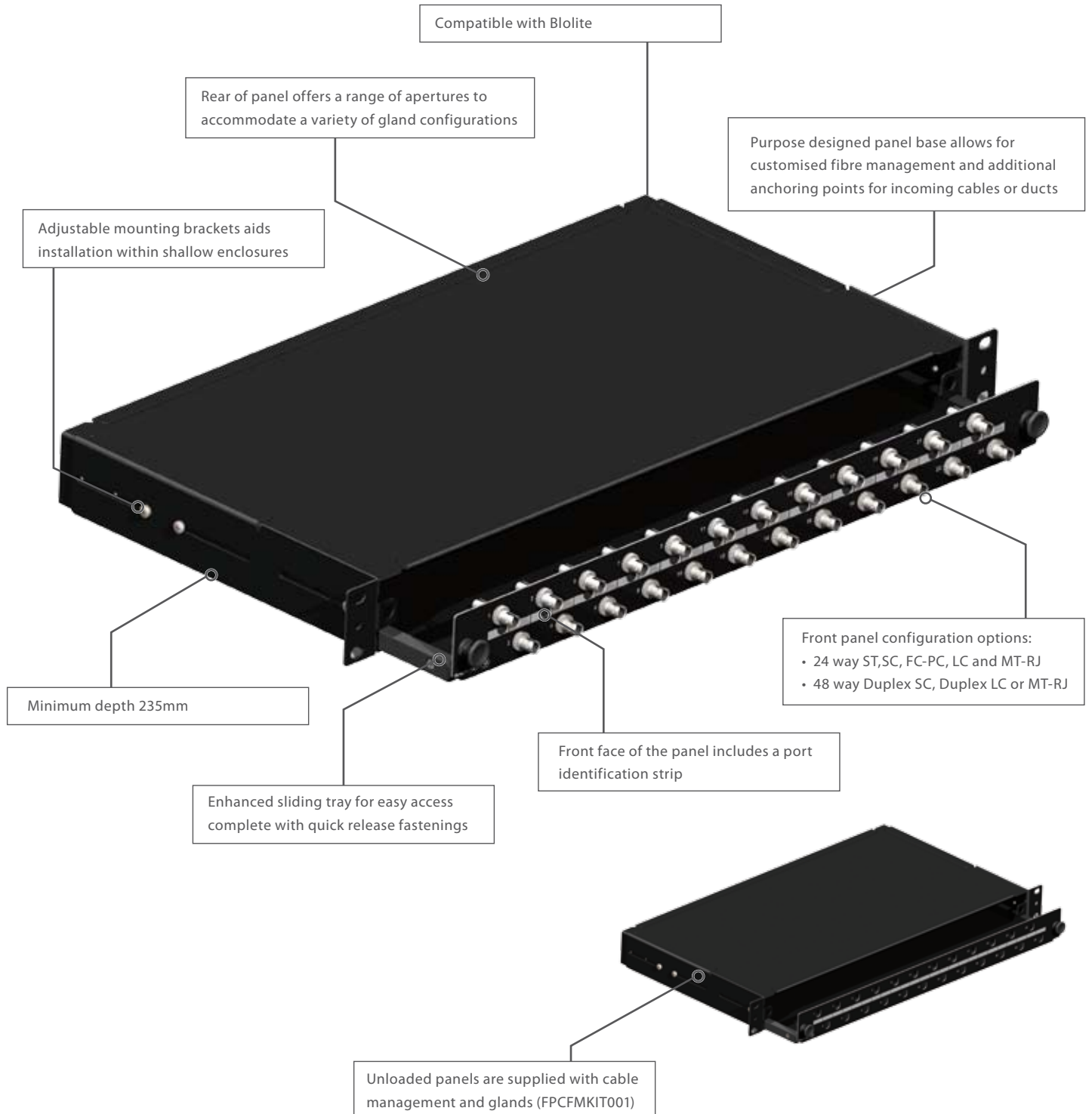
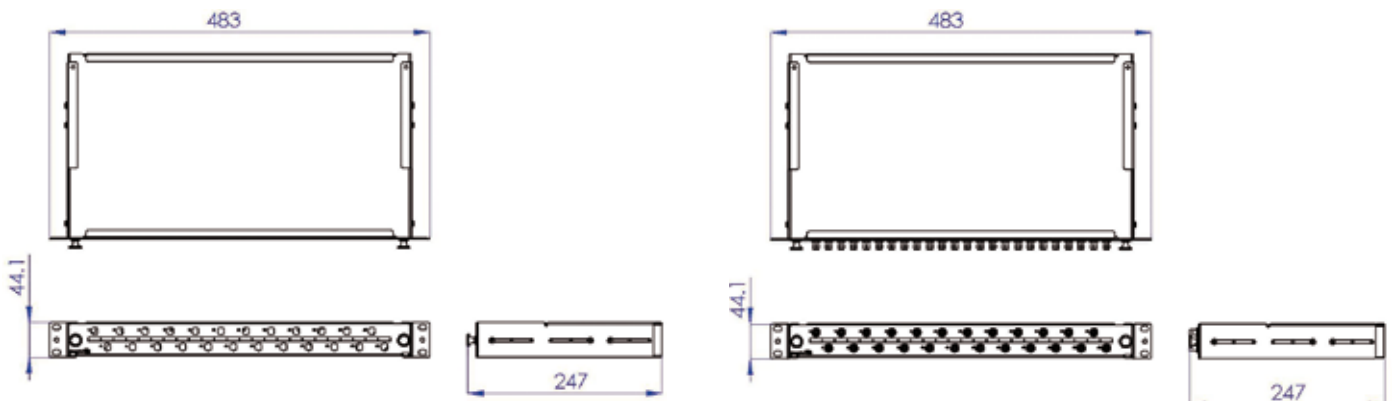


FibrePlus Patch Panels



PRODUCT DESCRIPTION

The New Fibre Plus 1U Fibre 19" Optic Patch panel has been redesigned to optimise both the internal fibre management but also to add greater fibre density. Constructed from mild steel with a powder coated paint finish the panel is available in Black or Grey. The Patch Panel offers a flexible and highly versatile solution for optical splicing and patching. The Panels shallow depth allows it to be installed within the majority of standard racks and wall mounted enclosures. The integrated design features ensure that even once installed the Panel can be readily re-configured to accommodate the changing needs of today's high speed networks.



Description	4 Adaptor	6 Adaptor	8 Adaptor	12 Adaptor	16 Adaptor	24 Adaptor
ST Single Mode	FPCC1SXSM04ST2	FPCC1SXSM06ST2	FPCC1SXSM08ST2	FPCC1SXSM12ST2	FPCC1SXSM16ST2	FPCC1SXSM24ST2
ST Multi Mode	FPCC1SXMM04ST2	FPCC1SXMM06ST2	FPCC1SXMM08ST2	FPCC1SXMM12ST2	FPCC1SXMM16ST2	FPCC1SXMM24ST2
FC Single Mode	FPCC1SXSM04FC2	FPCC1SXSM06FC2	FPCC1SXSM08FC2	FPCC1SXSM12FC2	FPCC1SXSM16FC2	FPCC1SXSM24FC2
SC Duplex - Single Mode	FPCC1SXSM08DC2	FPCC1SXSM12DC2	FPCC1SXSM16DC2	FPCC1SXSM24DC2	FPCC1SXSM32DC2	FPCC1SXSM48DC2
SC Duplex - Multi Mode	FPCC1SXMM08DC2	FPCC1SXMM12DC2	FPCC1SXMM16DC2	FPCC1SXMM24DC2	FPCC1SXMM32DC2	FPCC1SXMM48DC2
SC Simplex Single Mode	FPCC1SXSM04SC2	FPCC1SXSM06SC2	FPCC1SXSM08SC2	FPCC1SXSM12SC2	FPCC1SXSM16SC2	FPCC1SXSM24SC2
SC Simplex Multi Mode	FPCC1SXMM04SC2	FPCC1SXMM06SC2	FPCC1SXMM08SC2	FPCC1SXMM12SC2	FPCC1SXMM16SC2	FPCC1SXMM24SC2
MT-RJ	FPCC1SXMM08MJ2	FPCC1SXMM12MJ2	FPCC1SXMM16MJ2	FPCC1SXMM24MJ2	FPCC1SXMM32MJ2	FPCC1SXMM48MJ2
LC Duplex Single Mode	FPCC1SXSM08LC2	FPCC1SXSM12LC2	FPCC1SXSM16LC2	FPCC1SXSM24LC2	FPCC1SXSM32LC2	FPCC1SXSM48LC2
LC Duplex Multi Mode	FPCC1SXMM08LC2	FPCC1SXMM12LC2	FPCC1SXMM16LC2	FPCC1SXMM24LC2	FPCC1SXMM32LC2	FPCC1SXMM48LC2

Description	Description
Unloaded Optical for up to 24 ST or FC adaptors - Black	FPCC1SXXX24ST2
Unloaded Optical for up to 12 SC Duplex adaptors - Black	FPCC1SXXX24DC2
Unloaded Optical for up to 24 SC Duplex adaptors - Black	FPCC1SXXX48DC2
Unloaded Optical for up to 24 SC Simplex adaptors - Black	FPCC1SXXX24SC2
Fibre management kit including loops and 24 way splice bridge	FPFCFKIT001
3mm Bloduct bulkhead connector (including adaptor collar)	30-511-04
5mm Bloduct bulkhead connector	30-506-09
Blolite Tie Bracket 12w 5mm, including mounting kit	FPCKBIT001
1/2 Blanck Tie Bracket	FPCKBLK001
ST/FC Blanking Plugs (Black) - Pack 100	BPESC101-100
SC Simplex Blanking Plug (also suitable for LC & MT-RJ) (Black) - Pack 100	BPESC101-100
SC Duplex Blanking Plug (also suitable for LC & MT-RJ) (Black) - Pack 100	BPESC301-100

Notes: Panels are also available in grey, to order please replace the '2' in the catalogue number with '8'. i.e. FPCC1SXSM04ST2 becomes FPCC1SXSM04ST8

The information contained in this document is valid and correct at the time of issue. However, we reserve the right to modify details without notice in the light of subsequent Standard / Specification changes and ongoing technical developments.
© Brand-Rex Limited 2008

Literature Ref: FPPATCHPANEL/F/UK/1 0508

viewfield industrial estate
glenrothes, fife
KY6 2RS
united kingdom

tel: +44 (0) 1592 772124
fax: +44 (0) 1592 775314
web: www.brand-rex.com

